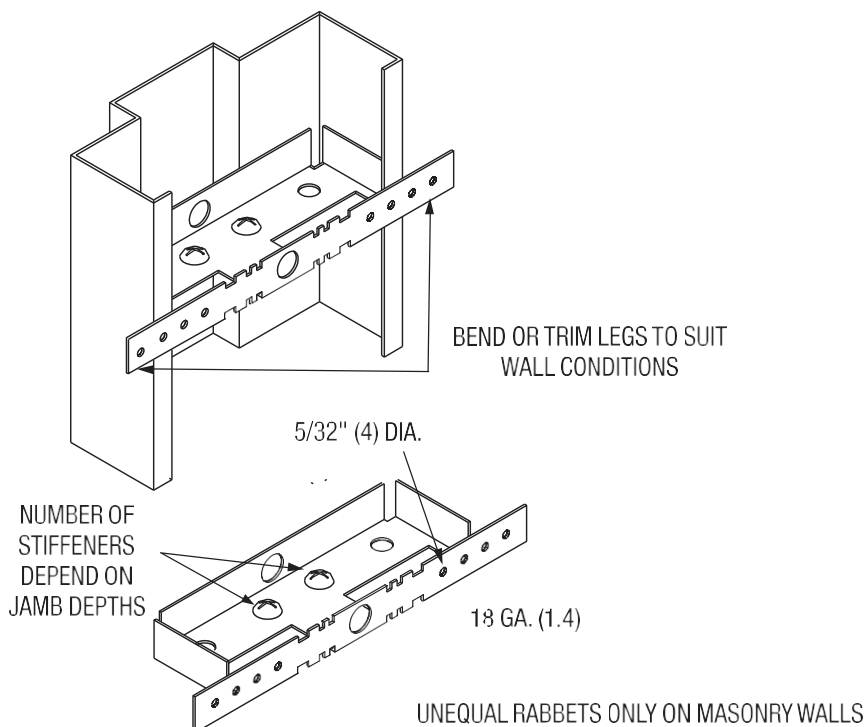


THE COOK & BOARDMAN GROUP

Multipurpose Anchor

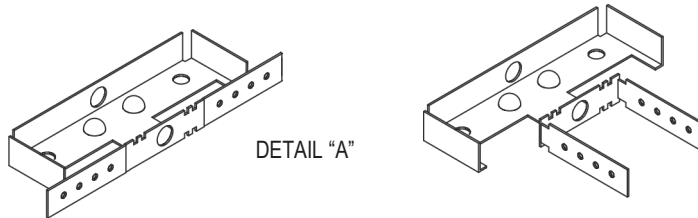
ANCHOR PART NUMBER: P0045
ANCHOR CODE: MP
JAMB DEPTHS OF 4-3/4" (120.7) THRU 9-3/4" (247.6)
2" (50.8) FACE FLUSH "M" SERIES OR DRYWALL "C" SERIES
2" (50.8) X 2-5/8" (66.67) "G" SERIES OR DRYWALL "CG" SERIES



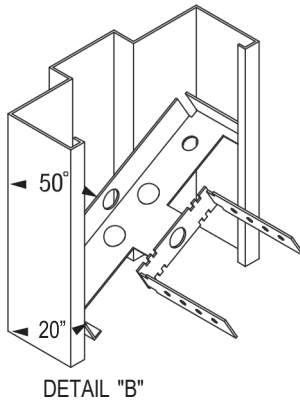
CURRIES

ASSA ABLOY

1. BEND LEGS OF ANCHOR 90° AS SHOWN IN DETAIL "A"
(LEGS MAY HAVE TO BE BENT FURTHER IN LATER STEPS).

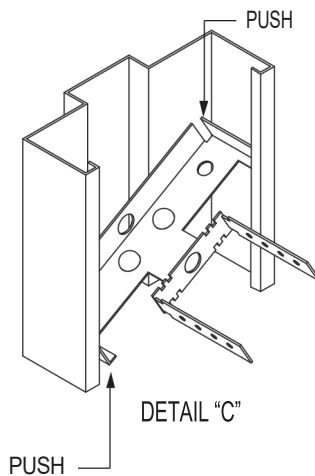


2. INSERT ANCHOR INTO FRAME THROAT TILTED AT APPROXIMATELY A 50° ANGLE AS SHOWN IN DETAIL "B".



3. THE ANCHOR MUST ALSO BE INSERTED AT APPROXIMATELY A 20° ANGLE FROM THE RABBETS OF THE FRAME AS SHOWN IN DETAIL "B". THE FLANGES ON THE ANCHOR MUST CLEAR THE BACKBEND RETURNS.

4. SET THE ANCHOR INTO PLACE BY APPLYING PRESSURE IN THE OPPOSITE DIRECTIONS TO EACH SIDE OF THE ANCHOR AS SHOWN IN DETAIL "C".



5. ONCE THE ANCHOR HAS SNAPPED INTO PLACE, DETAIL "D", TURN IT UP INTO THE CORRECT POSITION AS SHOWN IN DETAIL "E". LEGS SHOULD BE BENT BACK TO THE ORIGINAL POSITION IF NECESSARY.

